

SUBMITTAL DATA: PLA-A36AA & PUY-A36NHA
36,000 Btu/h CEILING CASSETTE AIR-CONDITIONING SYSTEM

Job Name:	Location:	Date:
Purchaser:	Engineer:	
Submitted to:	For	<input type="checkbox"/> Reference <input type="checkbox"/> Approval <input type="checkbox"/> Construction
Unit Designation:	Schedule No.:	

GENERAL FEATURES

- Limited Warranty – One year on parts and defects, six years on compressor
- Compact, side discharge outdoor unit
- Quiet operation – indoor and outdoor units
- Auto-restart following a power outage
- Self-check function – onboard diagnostics
- Advanced microprocessor control
- Built-in drain lift mechanism for condensate removal
- Zone control
- Hard-wired, wall-mounted, remote controller (PAR-21MAA)
- 2, 3, or 4 way air flow selection / 6" round or 4 X 14" rectangular branch duct connection
- 4" ventilation air inlet
- Washable filter

OPTIONAL FEATURES

- Multi-function casement
- High efficiency filter element
- Air outlet shutter plate(s)
- Wireless Remote Controller kit
- M-Net adapter
- Wind Baffle
- Air outlet guide

COOLING

Rated capacity 36,000 Btu/h
 Minimum capacity 12,000 Btu/h
 SEER 13.1 Btu/h/W
 Total input. 4100 W
 Power supply 208 / 230V, 1 Phase, 60 Hz
 Breaker size 30 A

VOLTAGE

Indoor - Outdoor S1-S2 AC 208/230V
 Indoor - Outdoor S2-S3 DC 24V
 Indoor - Remote Controller DC

NOTES :

*1. Rating conditions (cooling)-indoor : D.B. 80°F, W.B. 67°F
 outdoor : D.B. 95°F, W.B. 75°F.

OPERATING RANGE

	Indoor intake air temp.	Outdoor intake air temp.
Cooling Max	D.B. 95°F, W.B. 71°F	D.B. 115°F
Min	D.B. 67°F, W.B. 57°F	D.B. 0°F *

* With wind baffle installed. If not installed, the minimum temperature will be 23°FDB.


INDOOR UNIT

MCA	2 A
Fan motor	1.25 F.L.A.
Fan motor output	110 W
Airflow (Lo-M1-M2-Hi)	710-810-920-990 Dry CFM 670-770-880-950 Wet CFM
Sound level (Lo-M1-M2-Hi)	33-36-39-41 dB(A)

DIMENSIONS

	UNIT	PANEL
inches	W	33-1/16
	D	33-1/16
	H	11-3/4
mm	W	840
	D	840
	H	298

WEIGHT (unit/panel)

Pounds66 / 11
Kg30 / 5
Field drain pipe size I.D. (inches/mm)1 / 25.4
Wall-mounted remote controller	PAR-21MAA (see data submittal sheet)

OUTDOOR UNIT

Compressor	DC inverter/twin rotary
MCA25
Fan motor	0.75 F.L.A.
Sound level.48 dB(A)

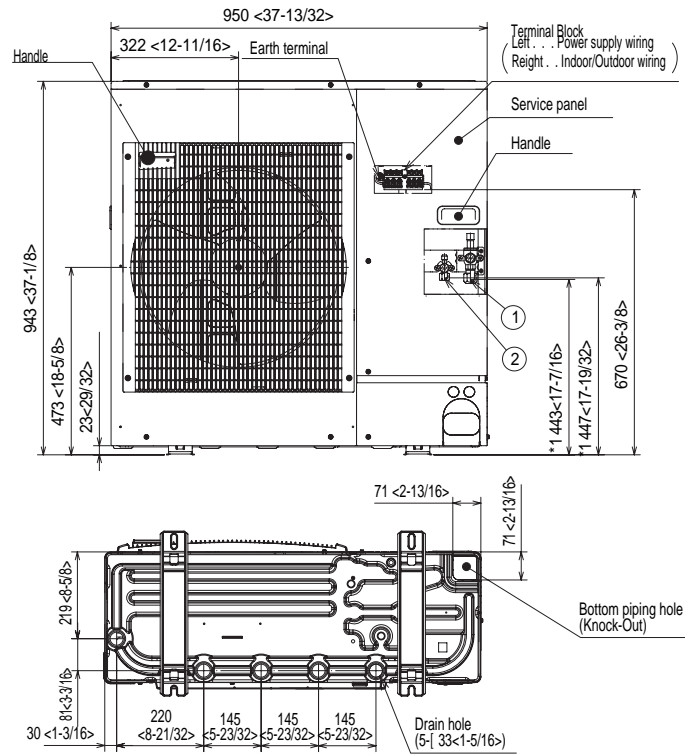
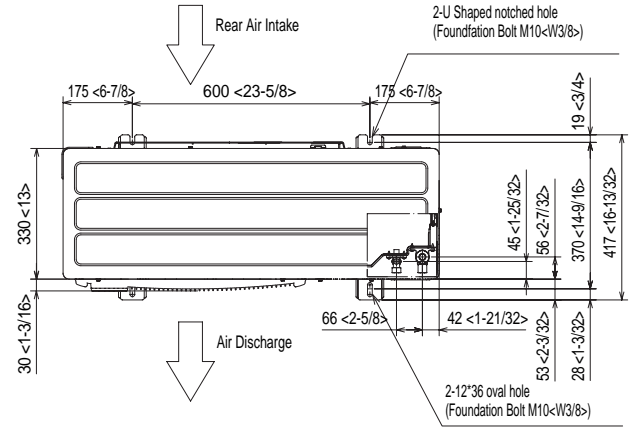
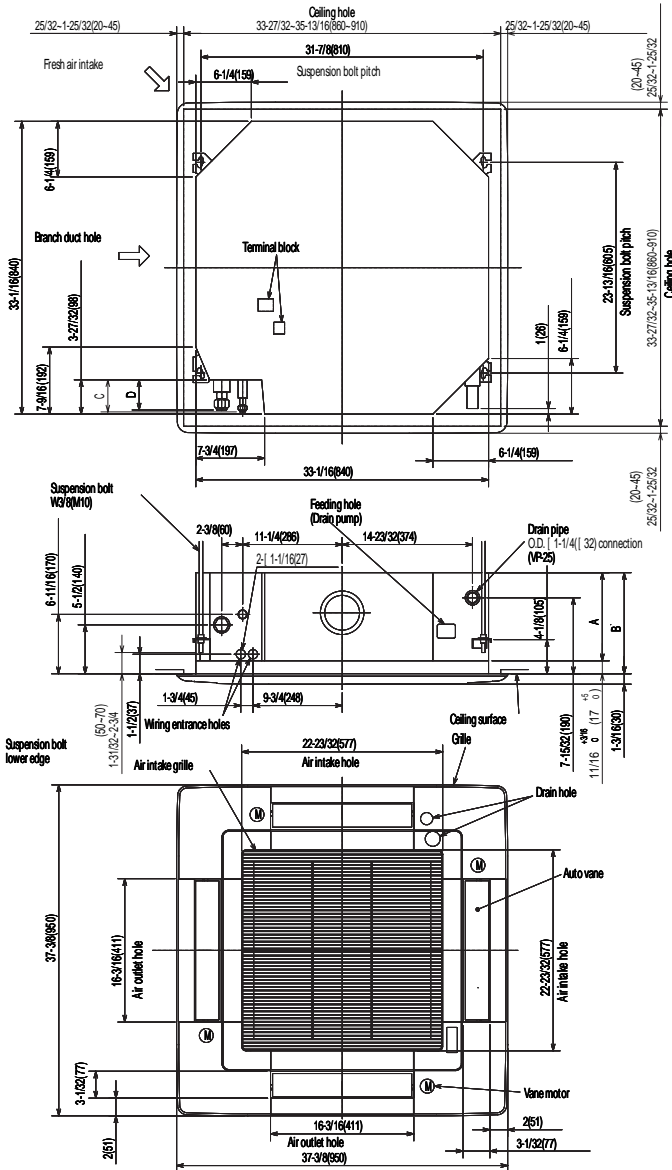
DIMENSIONS

	INCHES	MM
W	37-3/8	950
D	13 + 1-3/19	330 + 30
H	37-1/8	943

Weight (lbs/Kg)163 / 74
Refrigerant typeR410A
Refrigerant pipe size O.D. (inches/mm)	
gas side5/8 / 15.88
liquid side	3/8 / 9.52
Max. refrigerant pipe length (ft/m)	165 / 50
Max. refrigerant pipe height difference (ft/m)	100 / 30
Connection methodflared

Notes:


DIMENSIONS: PLA-A36AA & PUY-A36NHA



ARI Standard
210/240 UHP



HVAC Advanced Products Division
Mitsubishi Electric & Electronics USA, Inc.

3400 Lawrenceville Suwanee Rd
Suwanee, GA 30024
Tele: 678-376-2900 • Fax: 800-889-9904
Toll Free: 800-433-4822 (#3)

www.mehvac.com
Specifications are subject to change without notice.