

**SUBMITTAL DATA: MSY-A15NA & MUY-A15NA**
**15,000 Btu/h WALL-MOUNTED AIR-CONDITIONING SYSTEM**

Job Name: \_\_\_\_\_ Location: \_\_\_\_\_ Date: \_\_\_\_\_  
 Purchaser: \_\_\_\_\_ Engineer: \_\_\_\_\_  
 Submitted to: \_\_\_\_\_ For  Reference  Approval  Construction  
 Unit Designation: \_\_\_\_\_ Schedule No.: \_\_\_\_\_

**GENERAL FEATURES**

- Limited warranty: one year on parts and defects and six years on compressor
- Compact side discharge outdoor unit
- Zone control
- Wireless remote controller
- Automatic fan speed control
- Quiet operation – both indoor and outdoor units
- Auto restart following a power outage
- Self check function – onboard diagnostics
- Advanced microprocessor control

Rated capacity . . . . . 15,000 Btu/h  
 Minimum capacity . . . . . 3,100 Btu/h  
 SEER . . . . . 16.0 Btu/h/W  
 Total input . . . . . 1690 W  
 Power supply . . . . . 208 / 230V, 1 Phase, 60 Hz  
 Breaker size . . . . . 15 A

**Voltage**

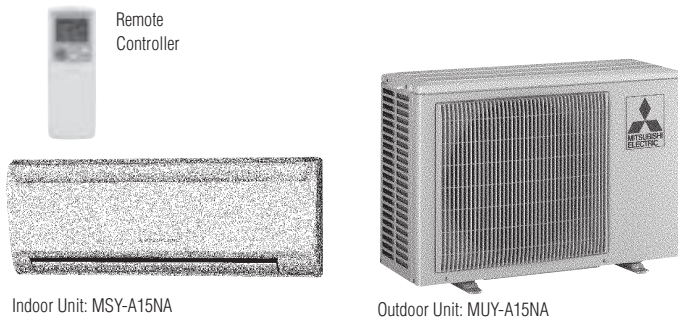
Indoor - Outdoor S1-S2 . . . . . 208 / 230V, 1 Phase, 60 Hz  
 Indoor - Outdoor S2-S3 . . . . . 12-24 VDC  
 Indoor - Remote Controller . . . . . wireless

**Indoor unit**

MCA . . . . . 1.0 A  
 Fan motor . . . . . 0.76 F.L.A.  
 Fan motor output . . . . .  
 Airflow (Lo-Med-Hi) . . . . . 268-328-381 Dry CFM  
 . . . . . 240-293-342 Wet CFM  
 Sound (level) (Lo-Med-Hi). . . . . 34-40-45 dB(A)

DIMENSIONS		INCHES	MM
inches	W	30-11/16	780
	D	8-1/4	210
	H	11-3/4	249

Weight (lbs/Kg) . . . . . 23 / 10.5  
 Field drain pipe size I.D. (inches/mm) . . . . . 1/2 / 12.7


**Outdoor Unit**

Compressor . . . . . DC inverter/twin rotary  
 MCA . . . . . 14  
 Fan motor . . . . . 0.52 F.L.A.  
 Sound level . . . . . 50 dB(A)

DIMENSIONS	INCHES	MM
	W	31-1/2
	D	11-1/4
	H	21-5/8

Weight (lbs/Kg) . . . . . 88 / 40  
 Refrigerant type . . . . . R410A  
 Refrigerant pipe size O.D. (inches/mm)  
 gas side . . . . . 1/2 / 12.7  
 liquid side . . . . . 1/4 / 6.35  
 Max. refrigerant pipe length (ft/m) . . . . . 65 / 20  
 Max. refrigerant pipe height difference (ft/m) . . . . . 40 / 12  
 Connection method . . . . . flared

**NOTES :**

\*1. Rating conditions (cooling)-indoor : D.B. 80°F, W.B. 67°F  
 outdoor : D.B. 95°F, W.B. 75°F.

**Operating range**

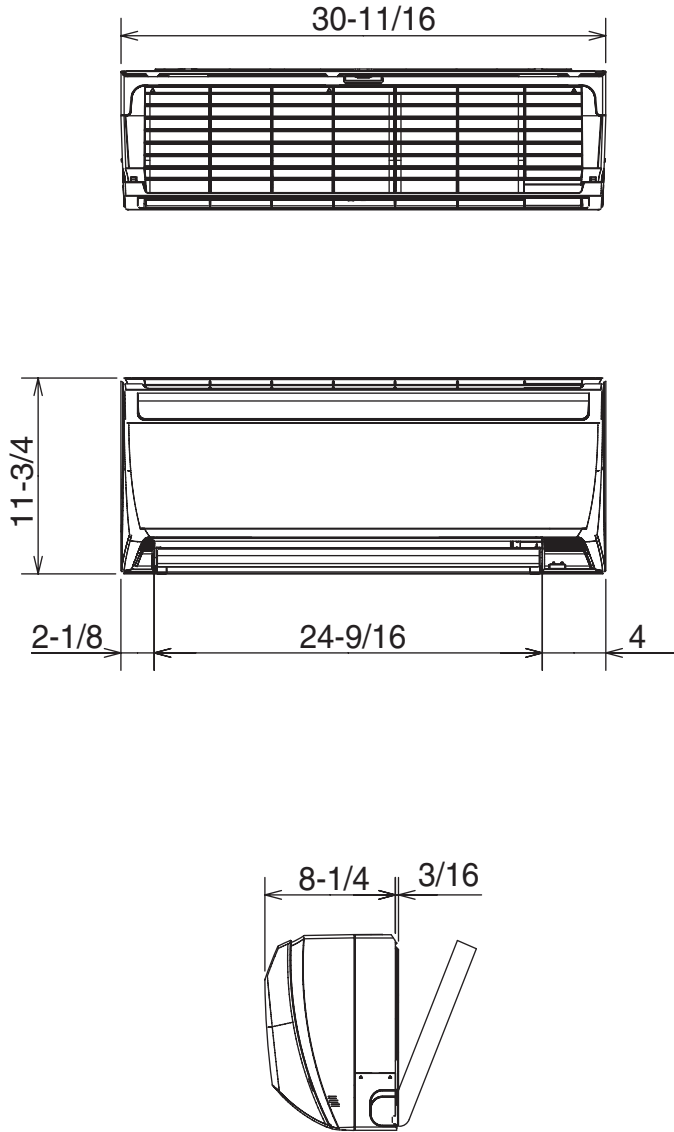
		Indoor intake air temp.	Outdoor intake air temp.
Cooling	Maximum	D.B. 95°F, W.B. 71°F	D.B. 115°F
	Minimum	D.B. 67°F, W.B. 57°F	D.B. 14°F *



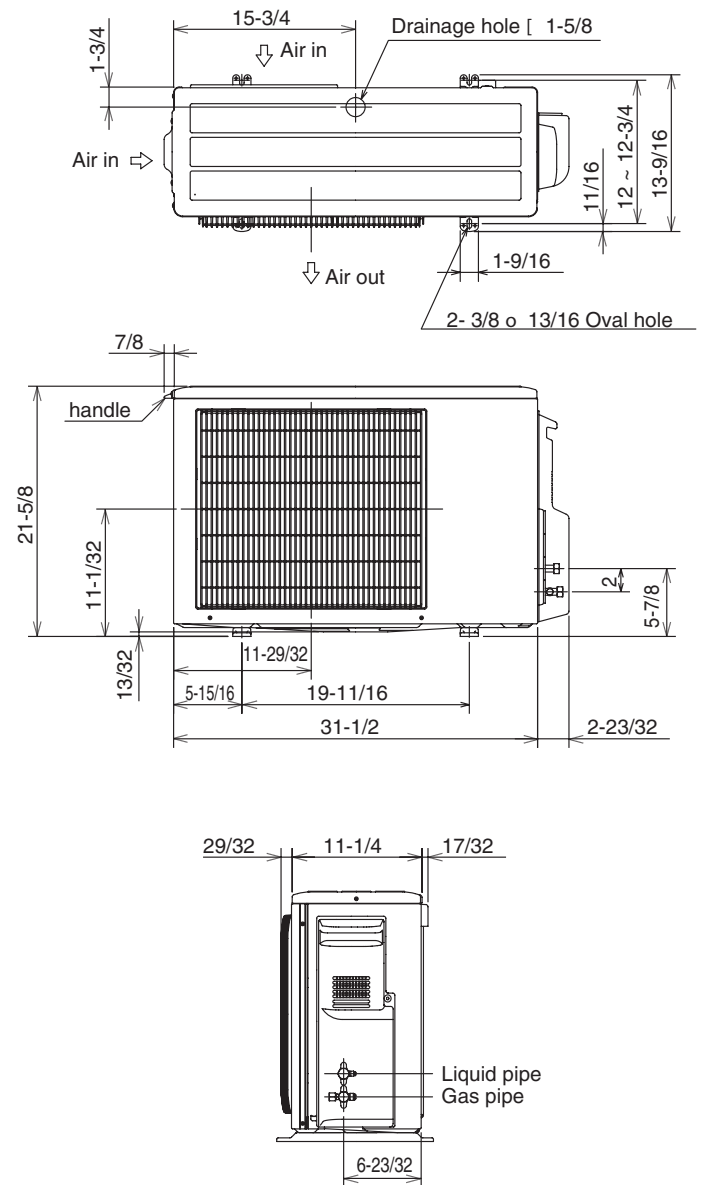
Notes:

# DIMENSIONS: MSY-A15NA & MUY-A15NA

## MSY-A15NA



## MUY-A15NA



HVAC Advanced Products Division  
Mitsubishi Electric & Electronics USA, Inc.

3400 Lawrenceville Suwanee Rd  
Suwanee, GA 30024  
Tele: 678-376-2900 • Fax: 800-889-9904  
Toll Free: 800-433-4822 (#3)  
[www.mehvac.com](http://www.mehvac.com)