

SUBMITTAL

MicroMetl

Knocked Down Adjustable Pitch / Adjustable Height Curb
for York ZJ, DJ 036-060: BP, DR 036-072: XP 036-060:
DHG 036-060: DHE 036-060: DF 072, DCE, DCG 036-076 Units

Part Number:
**AP560ZJ36APCRB
SERIES**

FORM NO. AP560ZJ36APCRB

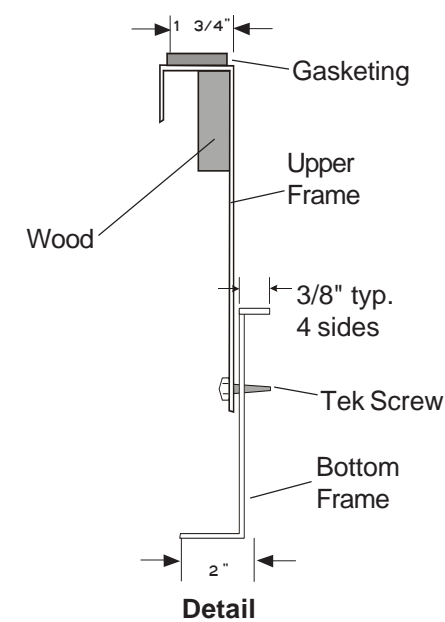
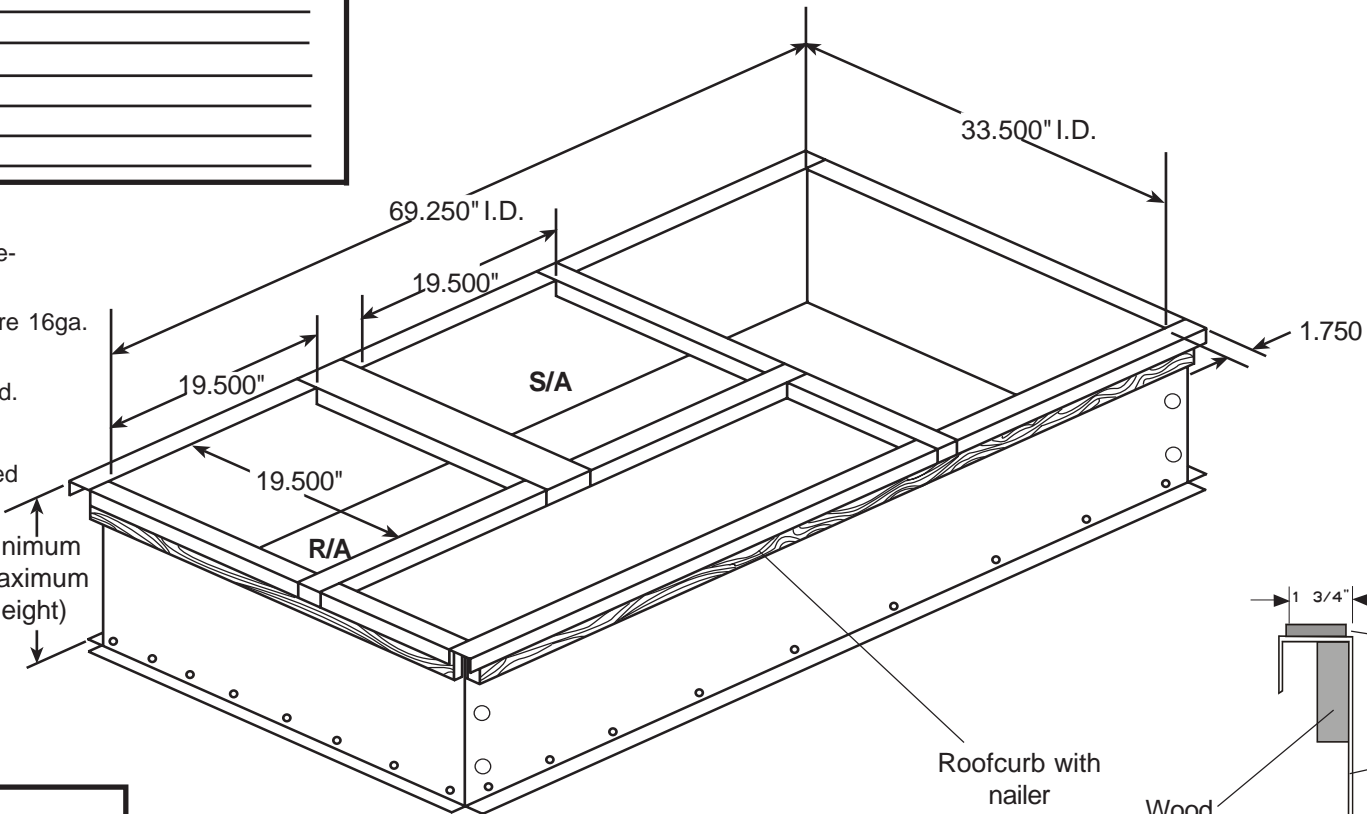
DATE: 07 / 07

SUBMITTED TO _____
COMPANY: _____
DRAWN BY: M.M.
JOB NAME: _____
EQUIPMENT: _____
NOTES: _____

FEATURES

- * Blocked top corners and pre-punched assembly holes.
- * Roofcurb sides and ends are 16ga. galvanized steel.
- * Gasketing package provided.
- * Full perimeter wood nailer.
- * Assembly hardware included for field assembly.

A" Minimum
B" Maximum
(flat height)



NOTE:
Manufacture duct work at least 3/4"
smaller than duct openings shown.

Adjust up to 1" in 12" pitch --
either direction

| MicroMetl P/N | A | B | Weight |
|------------------|-----|-----|----------|
| AP560ZJ35APCRB08 | 8" | 12" | 78 LBS. |
| AP560ZJ35APCRB11 | 11" | 15" | 90 LBS. |
| AP560ZJ35APCRB14 | 14" | 18" | 102 LBS. |